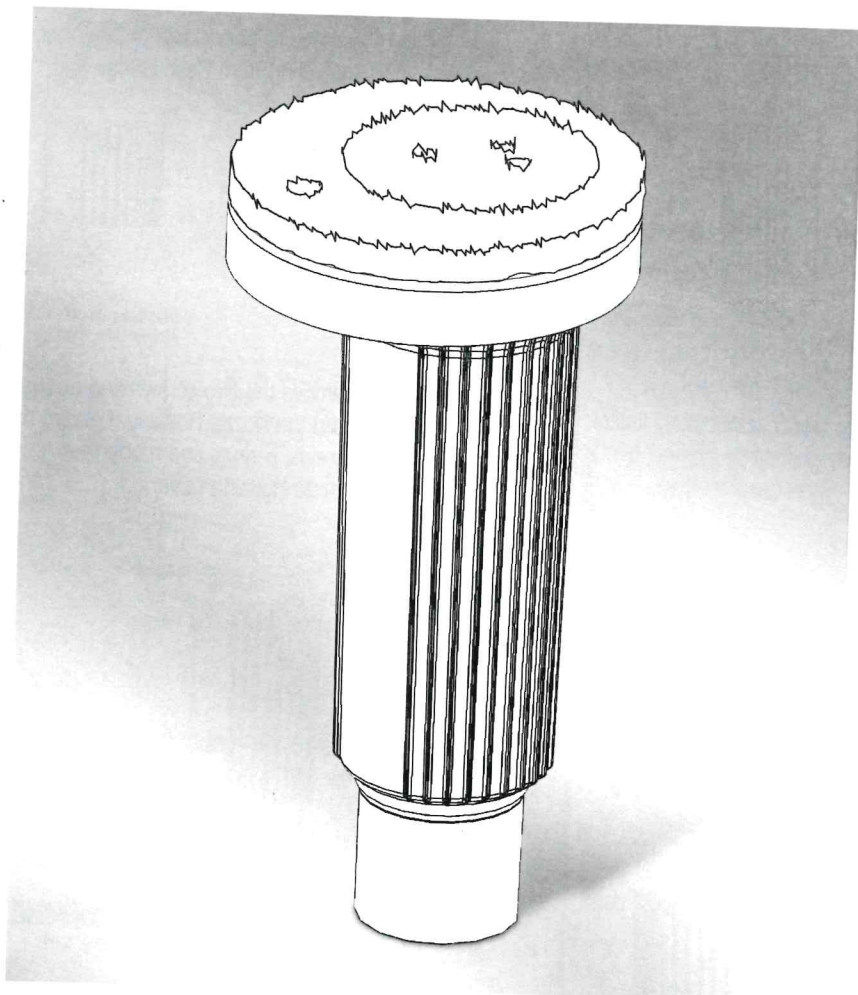
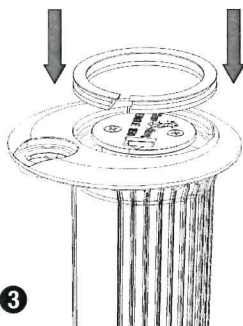
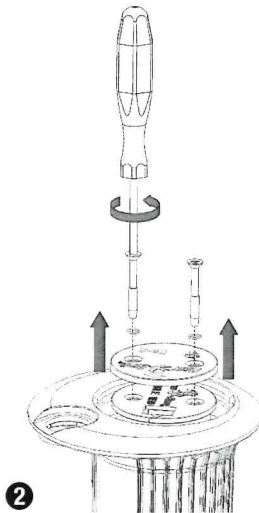
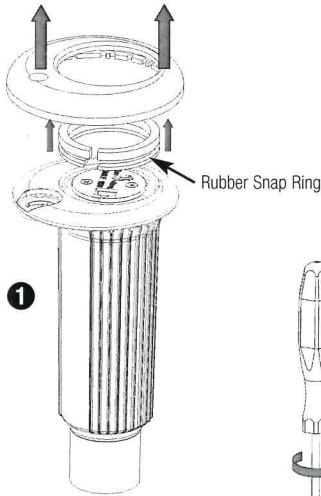
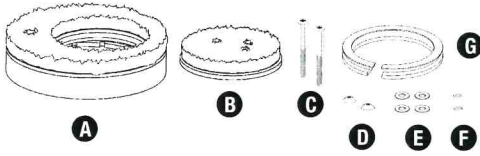




**Artificial Turf Cover Kit**  
for models 115-E and EAGLE™ 900/950/1100/1150  
**Assembly Instructions**



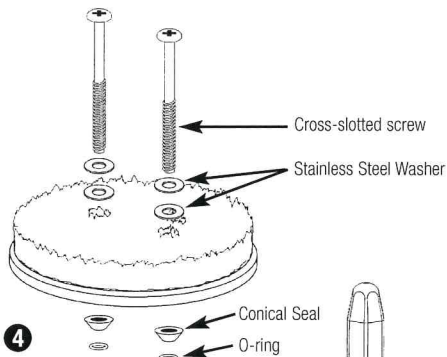
# 115-E Artificial Turf Cover Kit Assembly Instructions



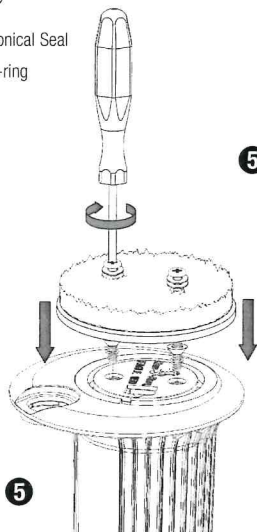
The Artificial Turf Cover Kit is composed of four parts:

- A** Outer Grass Cover
- B** Inner Grass Cover
- C** Cross-slotted Screws (2)
- D** Conical Seals (2)
- E** Stainless Steel Washers (4)
- F** O-rings
- G** Non-rubber Snap Ring

- 1** Remove Rubber Cover and Rubber Snap Ring from Case Flange and discard.
- 2** Remove the two screws and o-rings from the Nozzle Housing. Discard the screws, o-rings and rubberized Nozzle Housing Cover.
- 3** Install non-rubber Snap Ring.

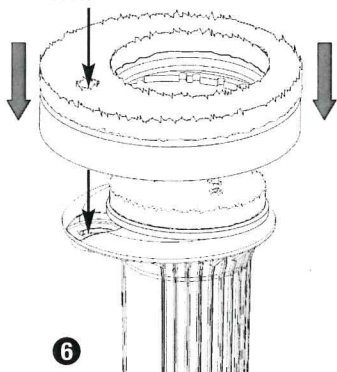


- 4 Assemble provided Screws, Stainless Steel Washers, Grass Cover, Conical Seals, and O-rings as shown.

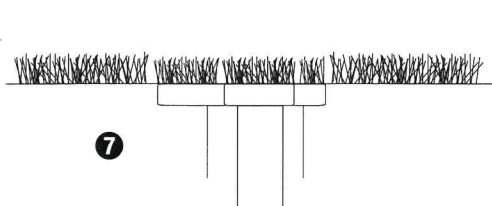


- 5 Position the grass cover assembly on top of the nozzle housing cover. **(For part circle sprinklers:** align the adjustment screw hole on the grass cover with arc adjustment screw on the internal.) Screw the grass cover kit very tightly to the internal. (The recommended torque for each screw is approximately 30 to 40 in lbs.)

Line up small hole in cover with selector

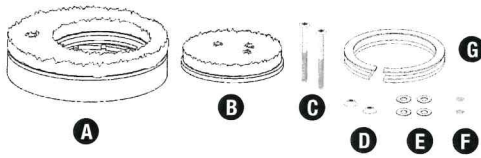


- 6 Install Outer Grass Cover onto Case Flange – adjusting outer grass cover grooves with flange ribs.



- 7 Inner Grass Cover must seat flush with nozzle housing cover.

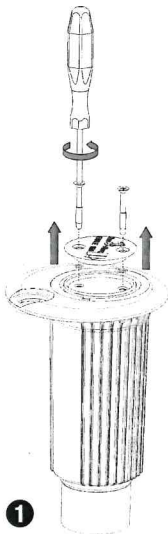
# EAGLE 900/950 & 1100/1150 Artificial Turf Cover Kit Assembly Instructions



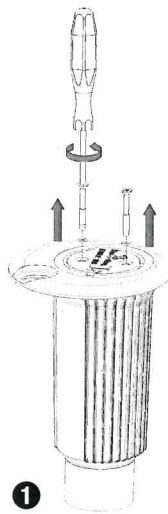
The Artificial Turf Cover Kit is composed of the following parts:

- A** Outer Grass Cover
- B** Inner Grass Cover
- C** Cross-slotted Screws (2)
- D** Conical Seals (2)
- E** Stainless Steel Washers (4)
- F** O-rings
- G** Non-rubber Snap Ring  
*(for use on 115-E only)*

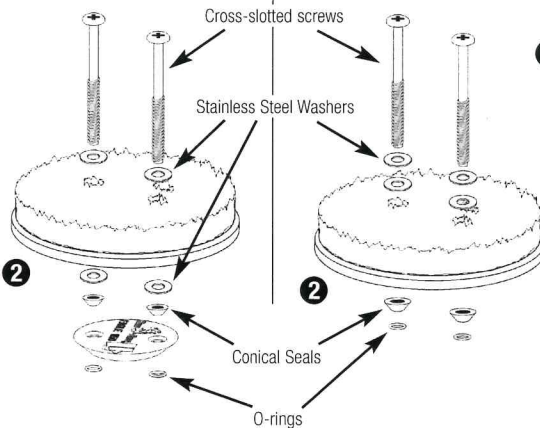
## EAGLE 900/950



## EAGLE 1100/1150



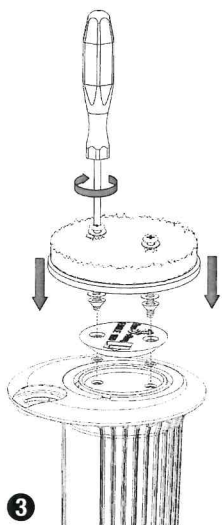
- 1** Remove the two screws and o-rings from the nozzle housing. Discard the screws and o-rings. (**EAGLE 900/950 only:** remove Nozzle Housing Cover.)



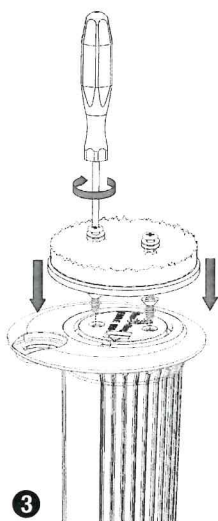
- 2** Assemble provided Screws, Stainless Steel Washers, Grass Cover, Conical Seals, and O-rings as shown for your model.

# EAGLE 900/950 & 1100/1150 Artificial Turf Cover Kit Assembly Instructions (cont.)

EAGLE 900/950

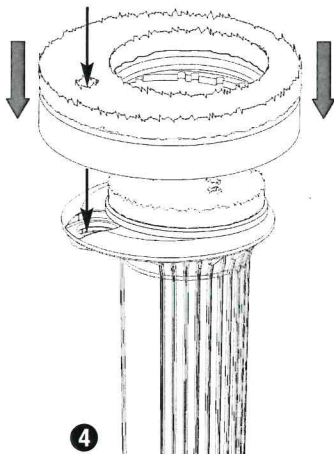


EAGLE 1100/1150

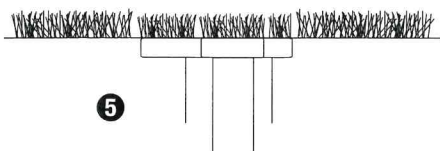


- 3 Position the grass cover assembly on top of the nozzle housing cover. **(For part circle sprinklers: align the adjustment screw hole on the grass cover with arc adjustment screw on the internal.)** Screw the grass cover kit very tightly to the case. (The recommended torque for each screw is approximately 30 to 40 in. lbs.)

Line up small hole in cover with selector



- 4 Install Outer Grass Cover onto Case Flange – adjusting outer grass cover grooves with flange ribs.



- 5 Inner Grass Cover must seat flush with nozzle housing cover.



***Rain Bird Corporation***

970 West Sierra Madre Avenue  
Azusa, CA 91702  
Phone: (626) 812-3400  
Fax: (626) 812-3411

***Rain Bird Technical Services***

(800) RAINBIRD (U.S. and Canada)

***Rain Bird Corporation***

6991 E. Southpoint Rd., Bldg.#1  
Tucson, AZ 85706  
Phone: (520) 741-6100  
Fax: (520) 741-6522

***Specification Hotline***

800-458-3005 (U.S. and Canada)

***Rain Bird International, Inc.***

145 North Grand Avenue  
Glendora, CA 91741  
Phone: (626) 963-9311  
Fax: (626) 963-4287

[www.rainbird.com](http://www.rainbird.com)