

## 80. SQ, SQE

### SQ, SQE, SQE-NE

#### 50/60 Hz, Pump, model B

##### Wear parts

Pos.	Pump type	SQ(E)-N1-35 to 95	SQ(E)-N1-110 to 155	SQ(E)-N2- 35 to 70	SQ(E)-N2- 85 to 130
		5SQ(E)-90 to 270	5SQ(E)-320 to 450	10SQ(E)-110 to 200	10SQ(E)-240 to 380
		Kit No	96479862	96479864	96479866
Description					
4a	Empty chamber	1	2	1	1
9b	Chamber, upper	6	10	4	8
9c	Chamber, lower	6	10	4	8
	Neck ring	6	10	4	8
13	Impeller	6	10	4	8
14	Inlet part	1	1	1	1
32	Guide vane	6	10	4	8
64	Priming screw	1	1	1	1
87	Cone	1	1	1	1

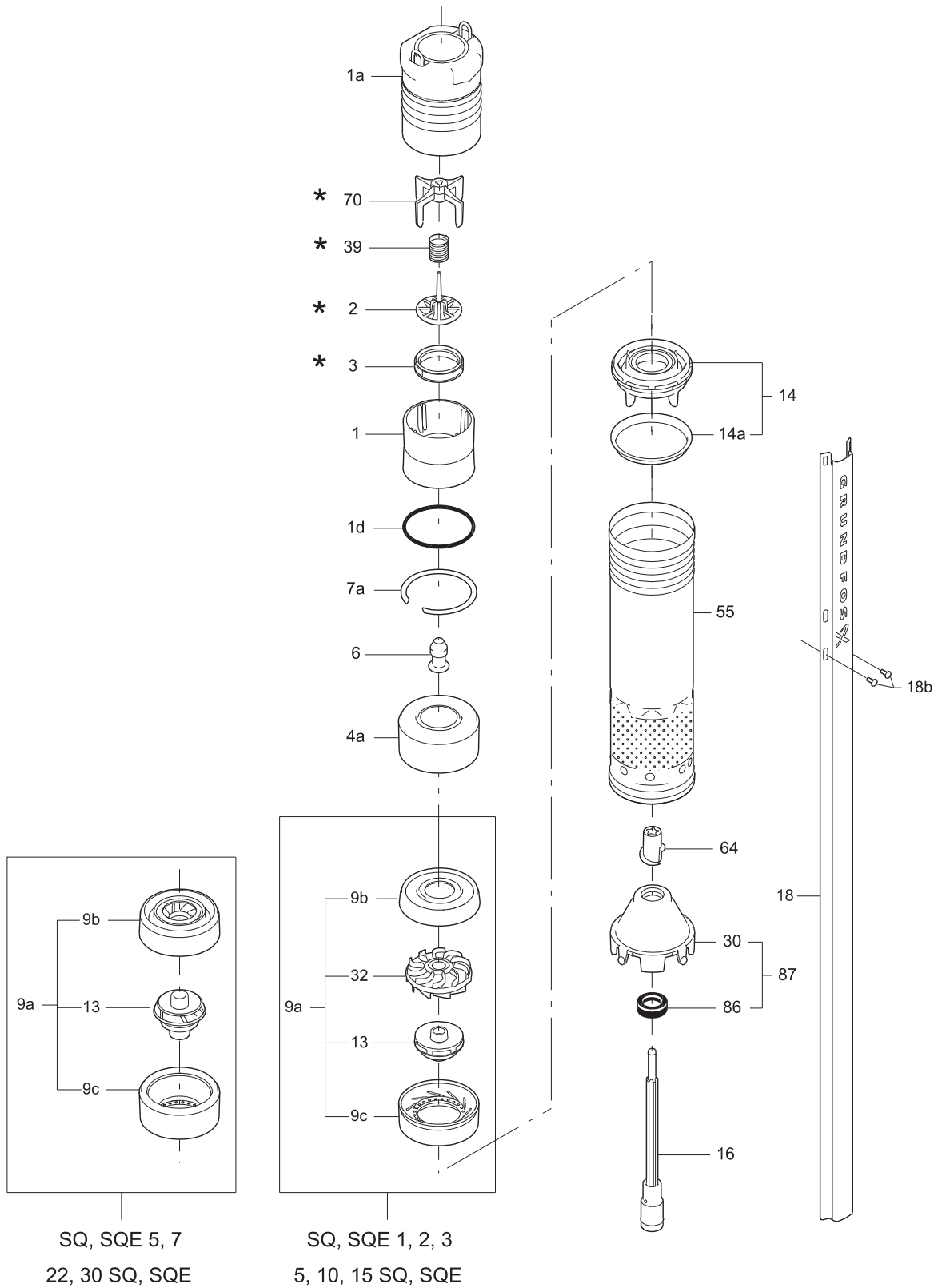
Pos.	Pump type	SQ(E)-NE2- 35 to 65	SQ(E)-NE2- 75 to 115	SQ(E)-N3- 30 to 55	SQ(E)-N3- 65 to 105
		10SQ(E)-NE-100 to 180	10SQ(E)-NE-220-340	15SQ(E)- 70 to 150	15SQ(E)- 180 to 290
		Kit No	96439551	96439552	96479869
Description					
4a	Empty chamber	1	1	1	2
9b	Chamber, upper	4	8	4	8
9c	Chamber, lower	4	8	4	8
	Neck ring	4	8	4	8
13	Impeller	4	8	4	8
14	Inlet part	1	1	1	1
32	Guide vane	4	8	4	8
64	Priming screw	1	1	1	1
87	Cone	1	1	1	1

Pos.	Pump type	SQ(E)-N5 15 to 35	SQ(E)-N5 50 to 70	SQ(E)-NE5 15 to 35	SQ(E)-NE5 45 to 65	SQ(E)-N7 15 to 55
		22SQ(E) 40 to 120	22SQ(E) 160 to 220	22SQ(E)-NE 40 to 110	22SQ(E)-NE 140 to 210	30SQ(E) 40 to 170
		Kit No	96479871	96479873	96439560	96439561
Description						
4a	Empty chamber	1	1	1	1	1
9b	Chamber, upper	3	6	3	6	4
9c	Chamber, lower	3	6	3	6	4
13	Impeller	3	6	3	6	4
14	Inlet part	1	1	1	1	1
64	Priming screw	1	1	1	1	1
87	Cone	1	1	1	1	1

##### Valve

Pos.	Pump type	Valve casing complete		Valve casing
		Standard	NE	NE
		Kit No	96427517	96439570
Description				
1	Valve casing	1	1	1
1d	O-ring	1	1	1
2	Valve cup	1	1	-
3	Valve seat	1	1	-
6	Top bearing	1	1	1
7a	Retaining ring	1	1	1
39	Valve spring	1	1	-
70	Valve guide	1	1	1

SQ, SQE, SQE-NE



SQ, SQE 5, 7  
22, 30 SQ, SQE

SQ, SQE 1, 2, 3  
5, 10, 15 SQ, SQE

SQE-NE for Europe, Asia and Japan does not include ★ marked positions, 70, 39, 2 and 3 (valve)

TM01 9206 1909

## Motor, model B 50/60 Hz

### Rotor (only motor model A)

Pos.	Motor size (kW) Kit No Description	Standard version			NE version		
		0.63 kW	1.05 kW	1.73 kW	0.63 kW	1.05 kW	1.73 kW
		96427521	96427522	96427523	96427524	96427525	96427526
202	Rotor	1	1	1	1	1	1
202a	Stop ring	1	1	1	1	1	1
202b	Strainer	1	1	1	1	1	1
203	Thrust bearing	1	1	1	1	1	1
205	Bearing plate	1	1	1	1	1	1

### Motor cable (only motor model B)

Area	Standard version				NE version	Standard
	Europe/Asia/South America					Japan
Length (m) / Dimensions	3 x 1.5 mm <sup>2</sup>	3 x 2.5 mm <sup>2</sup>	3 x 4.0 mm <sup>2</sup>	3 x 6.0 mm <sup>2</sup>	3 x 12 AWG	3 x 1.25 mm <sup>2</sup>
1.5	96160869	-	-	-	96160882	96160893
5.0	96160870	-	-	-	96160883	-
10	96160871	-	-	-	96160884	-
15	96160872	-	-	-	96160885	-
20	96160873	-	-	-	96160886	-
30	96160874	-	-	-	96160887	-
40	96160875	96160967	-	-	96160888	-
50	96160876	96160968	-	-	96160889	-
60	96160877	96160969	-	-	96160890	-
70	96160878	96160580	-	-	96160891	-
80	96160879	96160581	96160582	-	96160892	-
90	96160880	96160958	96160971	96160973	96160979	-
100	96160881	96160970	96160972	96160974	96160980	-
110	-	-	-	-	96160981	-
120	-	-	-	-	96160982	-

### Cable termination

Cable size	Kit No
1.5 - 2.5 mm <sup>2</sup> 14 AWG	96021462
4.0 - 6.0 mm <sup>2</sup> 14 AWG	96021473

### Motor cable

Area	Standard	NE version
	North America	North America/Japan
Dimensions	3 x 14 AWG	3 x 12 AWG
Length (ft)		
5	96160894 1 x 200-240 V	-
	96160966 1 x 115 V	-
25	-	96160895
50	-	96160896
75	-	96160897
100	-	96160898
125	-	96160899
150	-	96160900
175	-	96160901
200	-	96160902
225	-	96160903
250	-	96160904
300	-	96160905

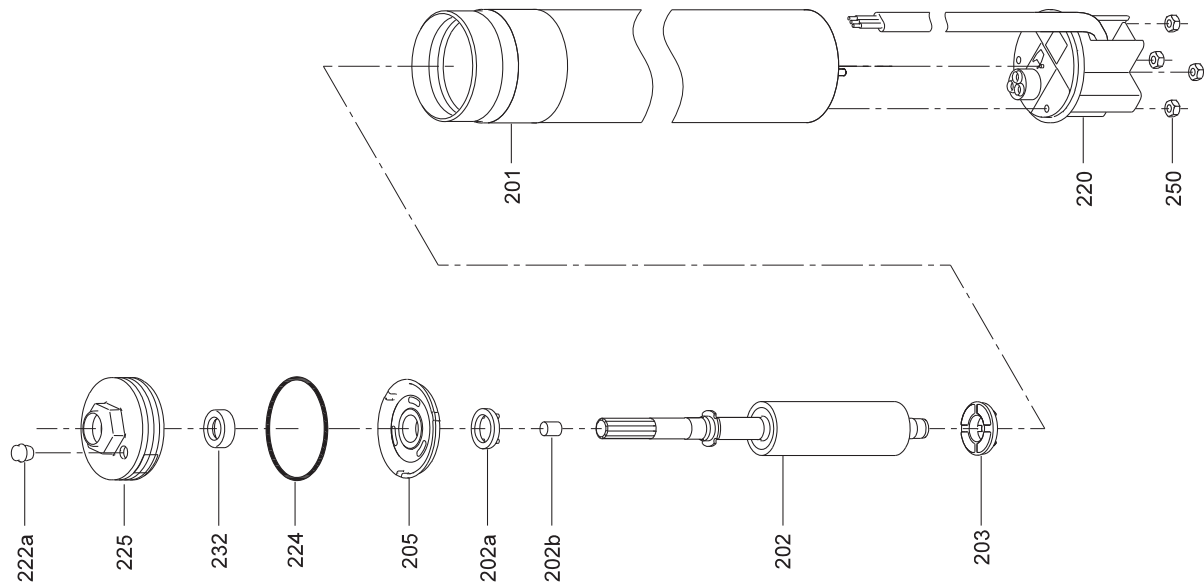
### Screw

Pos.	Kit No	96037388
Description		
18a	Screw K35 x 10	2
18b	Screw M3 x 6	2
250	Nut M4	4
250	Screw M4 x 8	4

### Top cover (only motor model A)

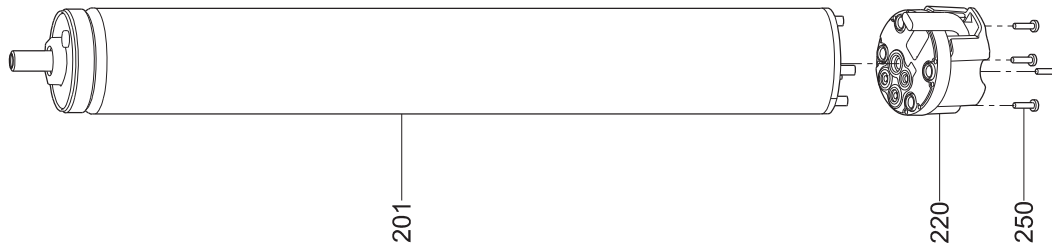
Pos.	Kit No	Standard version	NE version
		96427519	96441919
Description			
222a	Filling plug	1	1
224	O-ring	1	1
225	Top cover	1	1
232	Shaft seal	1	1

Pump, model A



TM03 8939 2807

Pump, model B



TM04 4892 2209

SQ, SQE, SQE-NE SQ, SQE